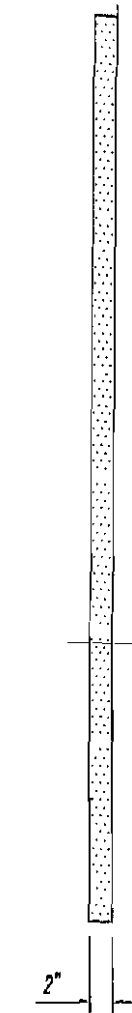
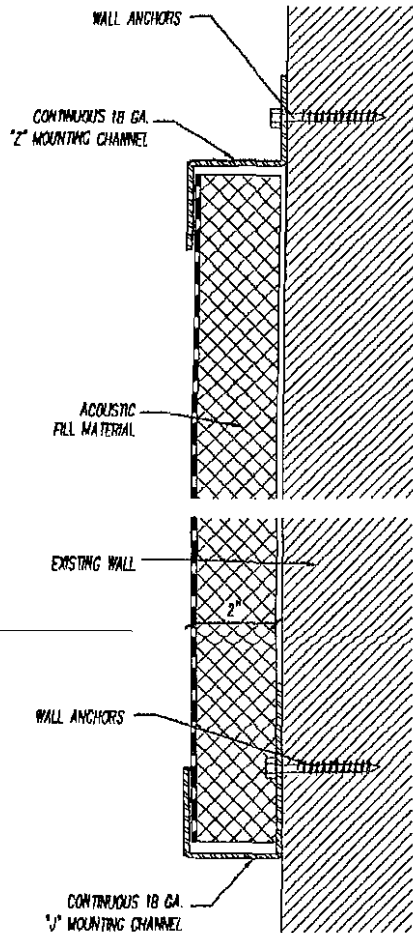


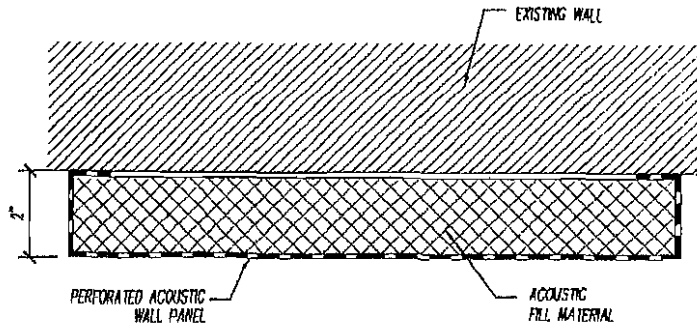
FRONT VIEW



RIGHT SIDE VIEW



SECTION A-A



SECTION B-B

GENERAL NOTES:

- 1.) ABSORPTION PANELS ARE FORMED FROM 22 GA. PERFORATED STEEL WITH $\frac{3}{16}$ " HOLES ON $\frac{3}{8}$ " STAGGERED CENTERS. PANELS HAVE G-90 SPANGLED GALVANIZED COATING IF SUPPLIED UNPAINTED. PANELS THAT ARE SUPPLIED WITH FINISH PAINT ARE FORMED FROM A-60 GLAVANNEALED STEEL.
- 2.) PANEL FILL: IS NON-COMBUSTIBLE, SOUND ABSORBING FIBERGLASS.
- 3.) FINISH: PANELS ARE AVAILABLE WITH A TOIC POLYESTER POWDER COATING OR UNFINISHED G-90 SPANGLED GALVANIZED COATING. STD. PAINT COLOR IS RAL-9003 (STD. WHITE). ADDITIONAL COLORS ARE AVIALABLE AND CAN BE SELECTED BY ARCHITECT/CUSTOMER FROM STANDARD COLOR CHART SUPPLIED BY NOISE BARRIERS, LLC. COLOR TO BE: _____
- 4.) PANELS ARE SUPPLIED WITH CONTINUOUS 18 GA. TOP 'Z'-CHANNEL AND BOTTOM 'J'-CHANNEL FOR MOUNTING PANELS TO EXISTING WALL/CEILING. ANCHORING HARDWARE VARIES BASED ON EXISTING WALL CONSTRUCTION.

SOUND ABSORPTION COEFFICIENTS

OCTAVE BAND CENTER FREQUENCIES (Hz)	125	250	500	1K	2K	4K	NRC
NB-II (W/O FILL PROTECTION)	0.26	0.53	1.00	1.03	0.97	1.02	0.90

*All testing conducted by Riverbank Acoustical Laboratories. Sound Absorption Coefficients by the Reverberation Room Method ASTM C-423-02.

REVISIONS	DESCRIPTION	DATE	BY	DESCRIPTION

DESCRIPTION		QUIETPERF NB-II ABSORPTION PANELS	
CUSTOMER			
DRAWN BY	SCALE	DRAWING NO.	
		NB-II-1	
DATE	SHEET		

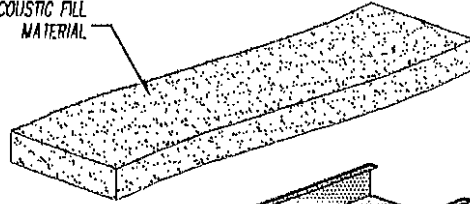


Noise Barriers, LLC

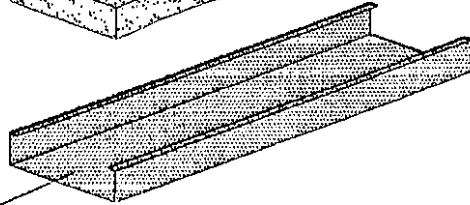
1207 Remington Rd., Suite E
Schaumburg, IL 60173
Phone: (847) 843-0500
Fax: (847) 843-0501

www.noisebarriers.com

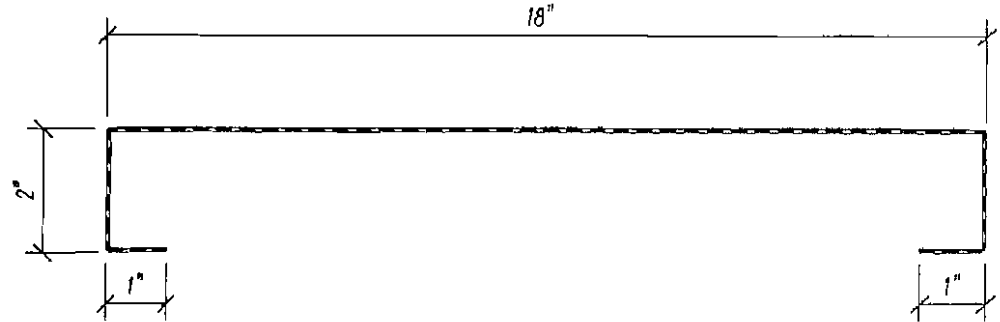
ACOUSTIC FILL MATERIAL



22 GA. PERF. PANEL



EXPLODED NB-II PANEL



TYPICAL PANEL PROFILE

SIZE: 2" THICK x 18" WIDE x _____" LONG

MAT'L: 22 GA. PERFORATED STEEL SHEET
 W/HOLE PATTERN: 3/32" DIA. HOLES
 ON 3/16" STAGGERED CENTERS

- G90 SPANGLED GALVANIZED
- A-60 GALVANNEALED/PAINt GRIP

FINISH: UNFINISHED POWDER COATED,
 COLOR: _____

PANEL FILL PROTECTION: NONE
 BLACK POLY BAG
 MESH SPACER

QUANTITY: _____

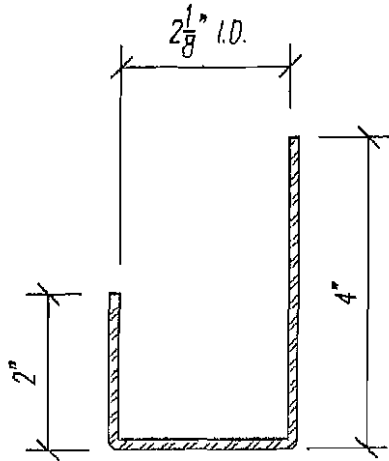
PANEL No.	QTY.	LENGTH

REVISIONS	DESCRIPTION	DATE	BY	DESCRIPTION
				QUIETPERF NB-II ABSORPTION PANELS
				PROJECT
				DRAWN BY
				SCALE
				DRAWING NO.
				NB-II-2
				DATE
				SHEET

Noise Barriers, LLC

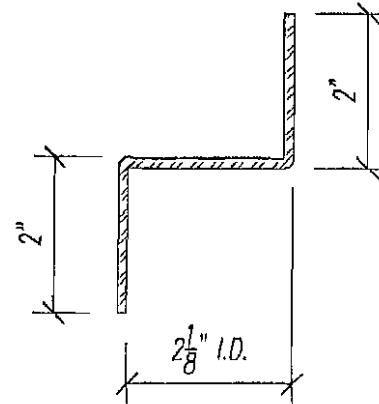
1207 Remington Rd., Suite E
 Schaumburg, IL 60173
 Phone: (847) 843-0500
 Fax: (847) 843-0501

www.noisebarriers.com



18 GA. BOT. 'J' CHANNEL

QTY. () @ 120" LONG



18 GA. TOP 'Z' CHANNEL

QTY. () @ 120" LONG

SIZE: SEE PROFILE x 120" LONG

MAT'L: G-90 GALVANIZED A-60 GALVANNEAL

FINISH: UNFINISHED POWDER COATED,
COLOR: _____

QUANTITY: _____

REVISIONS			DESCRIPTION	DATE	BY

DESCRIPTION			NO-II TOP & BOT. MOUNTING CHANNELS		
PROJECT					
DRAWN BY		SCALE	DRAWING NO.		
DATE		SHEET	NB-II-3		

Noise Barriers, LLC

1207 Remington Rd., Suite E
 Schaumburg, IL 60173
 Phone: (847) 843-0500
 Fax: (847) 843-0501

www.noisebarriers.com