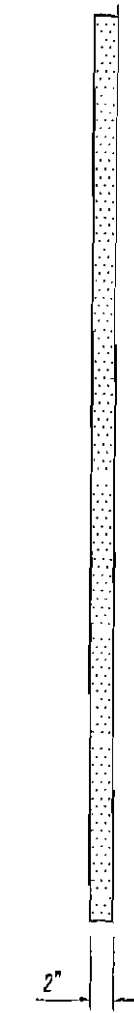
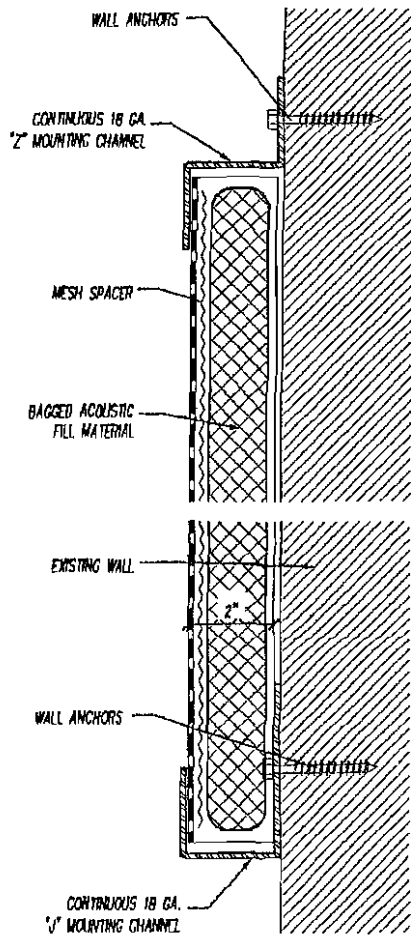


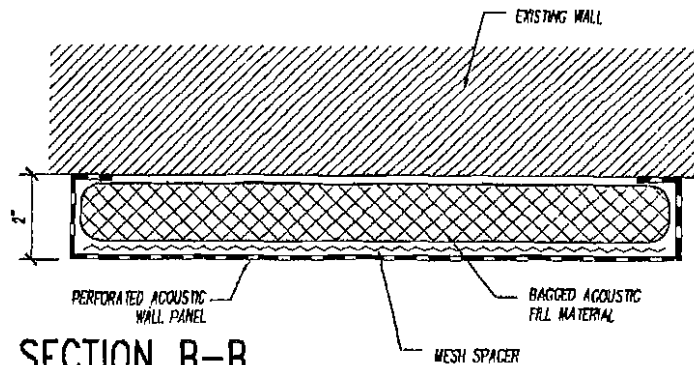
FRONT VIEW



RIGHT SIDE VIEW



SECTION A-A



SECTION B-B

GENERAL NOTES:

- 1.) ABSORPTION PANELS ARE FORMED FROM 22 GA. PERFORATED STEEL WITH $\frac{3}{32}$ " HOLES ON $\frac{3}{16}$ " STAGGERED CENTERS. PANELS HAVE G-90 SPANGLED GALVANIZED COATING IF SUPPLIED UNPAINTED. PANELS THAT ARE SUPPLIED WITH FINISH PAINT ARE FORMED FROM A-60 OLIVARNEALED STEEL.
- 2.) PANEL FILL IS NON-COMBUSTIBLE, SOUND ADSORBING FIBERGLASS. ACOUSTIC FILL IS PROTECTED WITH A 2 MIL POLY BAG AND PLASTIC MESH SPACER.
- 3.) FINISH: PANELS ARE AVAILABLE WITH A TGIC POLYESTER POWDER COATING OR UNFINISHED G-90 SPANGLED GALVANIZED COATING. STD. PAINT COLOR IS RAL-9003 (STD. WHITE). ADDITIONAL COLORS ARE AVAILABLE AND CAN BE SELECTED BY ARCHITECT/CUSTOMER FROM STANDARD COLOR CHART SUPPLIED BY NOISE BARRIERS, LLC. COLOR TO BE: _____
- 4.) PANELS ARE SUPPLIED WITH CONTINUOUS 18 GA. TOP '2'-CHANNEL AND BOTTOM '1'-CHANNEL FOR MOUNTING PANELS TO EXISTING WALL/CEILING. ANCHORING HARDWARE VARIES BASED ON EXISTING WALL CONSTRUCTION.

SOUND ABSORPTION COEFFICIENTS

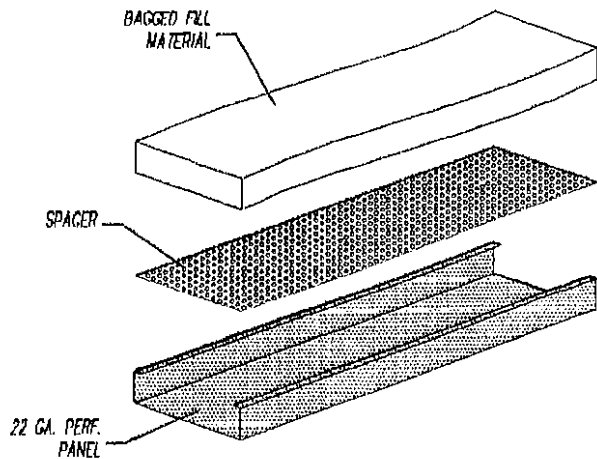
OCTAVE BAND CENTER FREQUENCIES (Hz)	125	250	500	1K	2K	4K	NRC
NB-II-B (W/ FILL PROTECTION & SPACER)	0.35	0.63	1.08	1.12	0.94	0.77	0.95

*All testing conducted by Riverbank Acoustical Laboratories. Sound Absorption Coefficients by the Reverberation Room Method ASTM C-423-02.

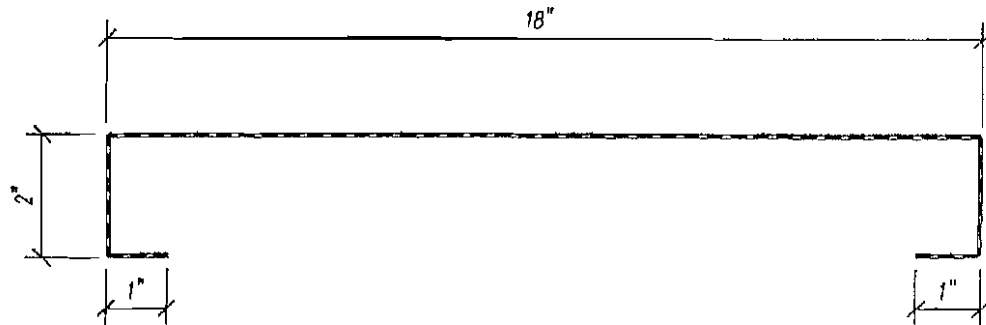
REVISIONS	DESCRIPTION	DATE	BY	DESCRIPTION

DESCRIPTION		QUIETPERF NB-II-B ABSORPTION PANELS	
CUSTOMER			
DRAWN BY	SCALE	DRAWING NO.	
		NB-II-B-1	
DATE	SHEET		

Noise Barriers, LLC
 1207 Remington Rd., Suite E
 Schaumburg, IL 60173
 Phone: (847) 843-0500
 Fax: (847) 843-0501
www.noisebarriers.com



EXPLODED NB-II-B PANEL



TYPICAL PANEL PROFILE

SIZE: 2" THICK x 18" WIDE x _____" LONG

MAT'L: 22 GA. PERFORATED STEEL SHEET

W/HOLE PATTERN: 3/32" DIA. HOLES
ON 3/16" STAGGERED CENTERS

G90 SPANGLED GALVANIZED

A-60 GALVANNEALED/PAINt GRIP

FINISH: UNFINISHED

POWDER COATED,

COLOR: _____

PANEL FILL PROTECTION:

NONE

BLACK POLY BAG

MESH SPACER

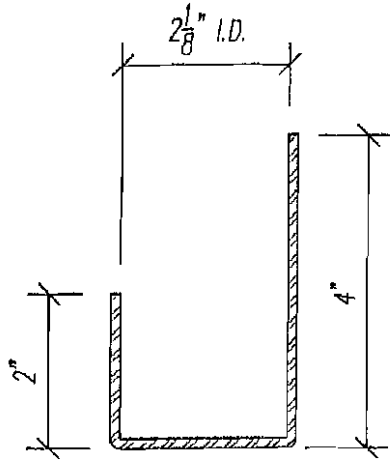
QUANTITY: _____

PANEL No.	QTY.	LENGTH

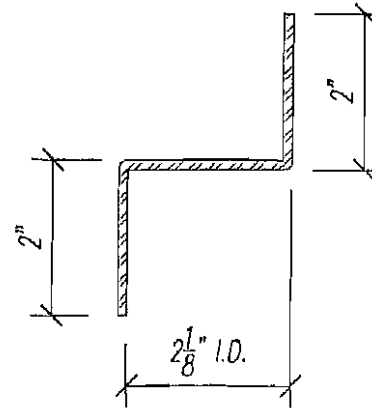
REVISIONS	DESCRIPTION	DATE	BY

DESCRIPTION			QUIETPERF NB-II-B ABSORPTION PANELS
PROJECT			
DRAWN BY	SCALE	DRAWING NO.	
		NB-II-B-2	
DATE	SHEET		

Noise Barriers, LLC
 1207 Remington Rd., Suite E
 Schaumburg, IL 60173
 Phone: (847) 843-0500
 Fax: (847) 843-0501
www.noisebarriers.com



18 GA. BOT. 'J' CHANNEL
 QTY. () @ 120" LONG



18 GA. TOP 'Z' CHANNEL
 QTY. () @ 120" LONG


SIZE: SEE PROFILE x 120" LONG

MAT'L: G-90 GALVANIZED A-60 GALVANNEAL

FINISH: UNFINISHED POWDER COATED,
 COLOR: _____

QUANTITY: _____

REVISIONS	DESCRIPTION	DATE	BY	DESCRIPTION
				PROJECT
				DRAWN BY
				SCALE
				DRAWING NO.
				DATE
				SHEET
				NB-II-B-3


Noise Barriers, LLC
 1207 Remington Rd., Suite E
 Schaumburg, IL 60173
 Phone: (847) 843-0500
 Fax: (847) 843-0501
www.noisebarriers.com