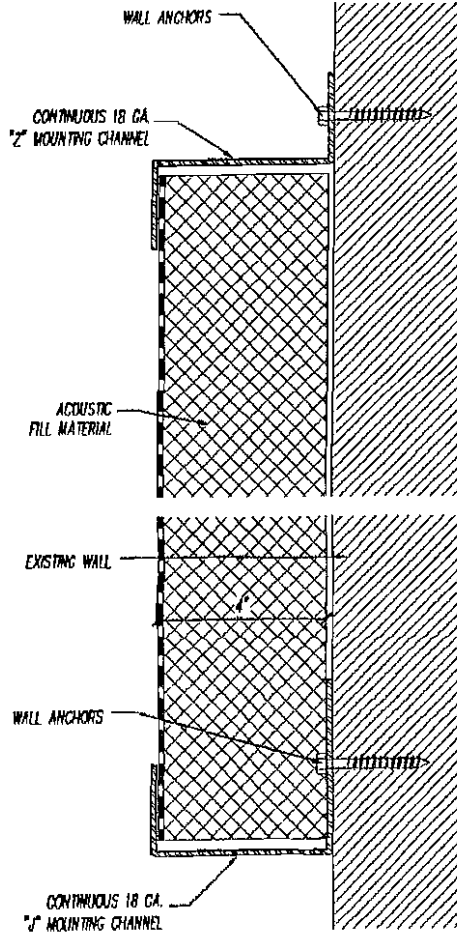
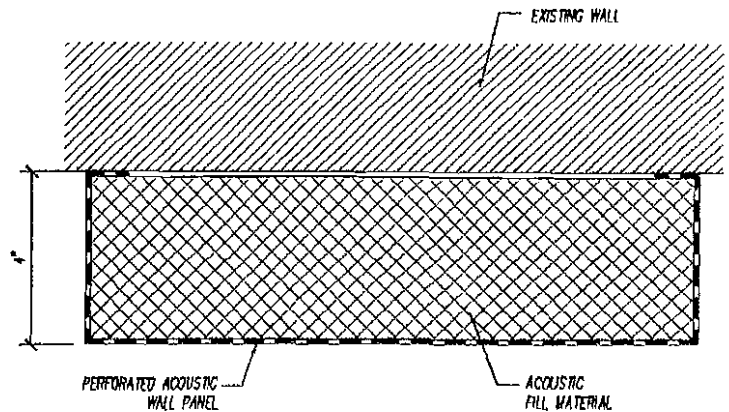


FRONT VIEW

RIGHT SIDE VIEW



SECTION A-A



SECTION B-B

GENERAL NOTES:

- 1.) ABSORPTION PANELS ARE FORMED FROM 22 GA. PERFORATED STEEL WITH $\frac{3}{16}$ " HOLES ON $\frac{3}{8}$ " STAGGERED CENTERS. PANELS HAVE G-90 SPANGLED GALVANIZED COATING IF SUPPLIED UNPAINTED. PANELS THAT ARE SUPPLIED WITH FINISH PAINT ARE FORMED FROM A-60 GLAVANNEALED STEEL.
- 2.) PANEL FILL: IS NON-COMBUSTIBLE, SOUND ABSORBING FIBERGLASS.
- 3.) FINISH: PANELS ARE AVAILABLE WITH A TGIC POLYESTER POWDER COATING OR UNFINISHED G-90 SPANGLED GALVANIZED COATING. STD. PAINT COLOR IS RAL-9003 (STD. WHITE). ADDITIONAL COLORS ARE AVAILABLE AND CAN BE SELECTED BY ARCHITECT/CUSTOMER FROM STANDARD COLOR CHART SUPPLIED BY NOISE BARRIERS, LLC. COLOR TO BE: _____
- 4.) PANELS ARE SUPPLIED WITH CONTINUOUS 18 GA. TOP 'Z'-CHANNEL AND BOTTOM 'J'-CHANNEL FOR MOUNTING PANELS TO EXISTING WALL/CEILING. ANCHORING HARDWARE VARIES BASED ON EXISTING WALL CONSTRUCTION.

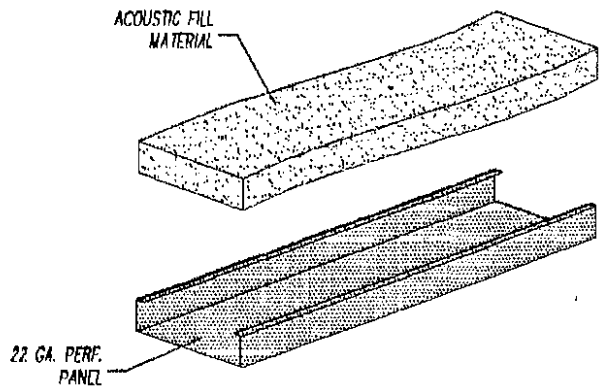
SOUND ABSORPTION COEFFICIENTS

OCTAVE BAND CENTER FREQUENCIES (Hz)	125	250	500	1K	2K	4K	NRC
NB-IV (W/O FILL PROTECTION)	0.70	1.08	1.15	1.05	1.05	1.01	1.10

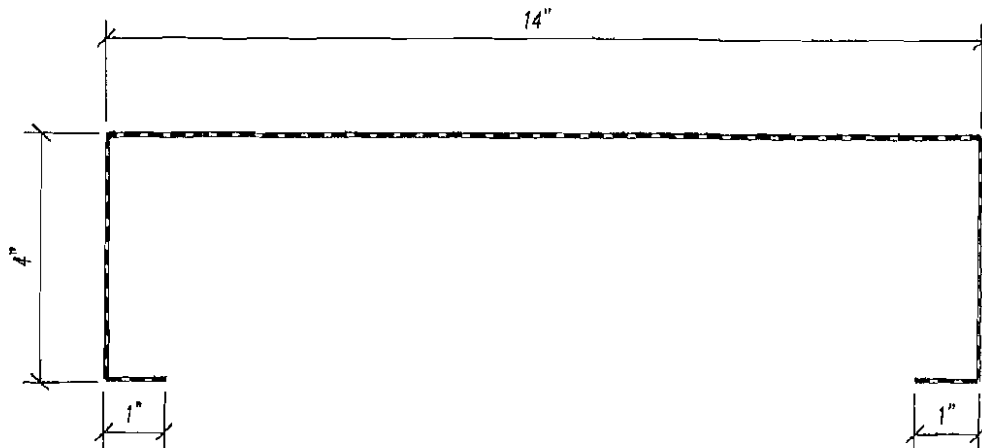
*All testing conducted by Riverbank Acoustical Laboratories. Sound Absorption Coefficients by the Reverberation Room Method ASTM C-423-02.

REVISION	DESCRIPTION	DATE	BY	DESCRIPTION
	QUIETPERF NB-IV ABSORPTION PANELS			
	CUSTOMER			
	DRAWN BY		SCALE	DRAWING NO.
	DATE		SHEET	NB-IV-1

Noise Barriers, LLC
 1207 Remington Rd., Suite E
 Schaumburg, IL 60173
 Phone: (847) 843-0500
 Fax: (847) 843-0501
www.noisebarriers.com



EXPLODED NB-IV PANEL



TYPICAL PANEL PROFILE

SIZE: 4" THICK x 14" WIDE x _____" LONG

MAT'L: 22 GA. PERFORATED STEEL SHEET
 W/HOLE PATTERN: 3/32" DIA. HOLES
 ON 3/16" STAGGERED CENTERS

- G90 SPANGLED GALVANIZED
- A-60 GALVANNEALED/PAINIT GRIP

FINISH: UNFINISHED POWDER COATED,
 COLOR: _____

PANEL FILL PROTECTION: NONE
 BLACK POLY BAG
 MESH SPACER

QUANTITY: _____

PANEL No.	QTY.	LENGTH

REVISIONS	DESCRIPTION	DATE	BY	DESCRIPTION	QUIETPERF NB-IV ABSORPTION PANELS
				PROJECT	
				DRAWN BY	SCALE
				DATE	SHEET

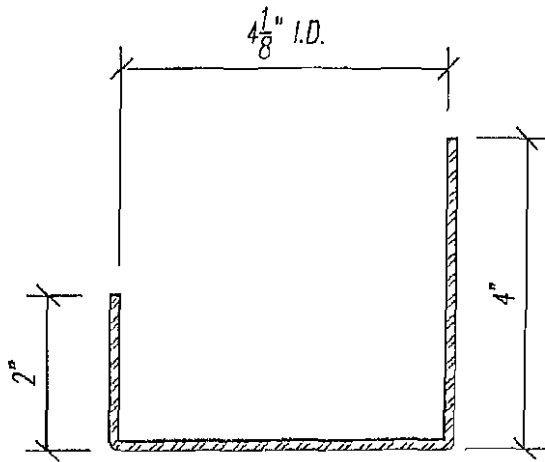


Noise Barriers, LLC

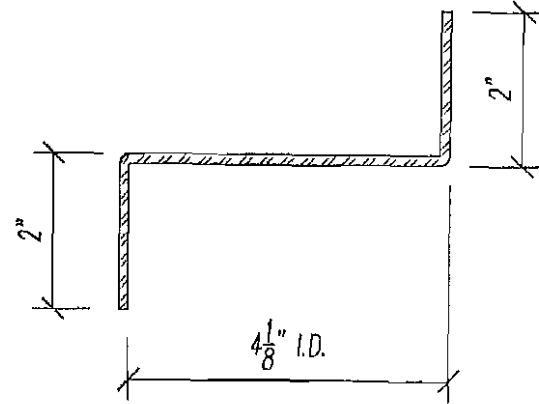
1207 Remington Rd., Suite E
 Schaumburg, IL 60173
 Phone: (847) 843-0500
 Fax: (847) 843-0501

www.noisebarriers.com

DRAWING NO.
NB-IV-2



18 GA. BOT. 'J' CHANNEL
 QTY. () @ 120" LONG



18 GA. TOP 'Z' CHANNEL
 QTY. () @ 120" LONG


SIZE: SEE PROFILE x 120" LONG

MAT'L: G-90 GALVANIZED A-60 GALVANNEAL

FINISH: UNFINISHED POWDER COATED,
 COLOR: _____

QUANTITY: _____

REVISIONS	DESCRIPTION	DATE	BY	DESCRIPTION
				PROJECT
				DRAWN BY
				SCALE
				DRAWING NO.
				NB-IV-3
				DATE
				SHEET

 **Noise Barriers, LLC**
 1207 Remington Rd., Suite E
 Schaumburg, IL 60173
 Phone: (847) 843-0500
 Fax: (847) 843-0501
www.noisebarriers.com