



1475 Saratoga Avenue, Suite 120
San Jose, California 95129
Phone (408) 255-8644
Fax (408) 255-8677
(800) 801-9378

QuietPerf Absorption Panels Descriptions

2" thick QuietPerf Panels:

- NB-II This panel is 2" thick x 18" wide x up to 144" long. The perforated pattern is 3/32" holes on 3/16" staggered centers. The panel is constructed of 22 gauge galvanized perforated steel (A-60 Galvanneal if finish painted, G-90 spangled galvanized steel if un-painted).
- NB-II-B This panel is 2" thick x 18" wide x up to 144" long. The perforated pattern is 3/32" holes on 3/16" staggered centers. The acoustic fill is encapsulated in a minimum 2 mil thick poly bag and includes a plastic mesh spacer between the perforated face and the bagged fill. The panel is constructed of 22 gauge galvanized perforated steel (A-60 Galvanneal if finish painted, G-90 spangled galvanized steel if un-painted).
- NB-VR This panel is 2-1/2" thick x 30" wide x up to 144" long. The panel face has "V" ridges 3/4" deep, 6" on center. The perforated pattern is 3/32" holes on 3/16" staggered centers. The panel is constructed of 22" gauge galvanized perforated steel (A-60 Galvanneal if finished painted, 0-90 spangled galvanized steel if un-painted). The acoustic fill is encapsulated in a minimum 2 mil thick poly hag and includes a plastic spacer between the perforated face and the bagged fill. The panel includes four (4) galvanized steel mounting brackets. (Specify 2", 4" or 6" brackets.)



West General LLC

1475 Saratoga Avenue, Suite 120
San Jose, California 95129
Phone (408) 255-8644
Fax (408) 255-8677
(800) 801-9378

QuietPerf Absorption Panels Descriptions

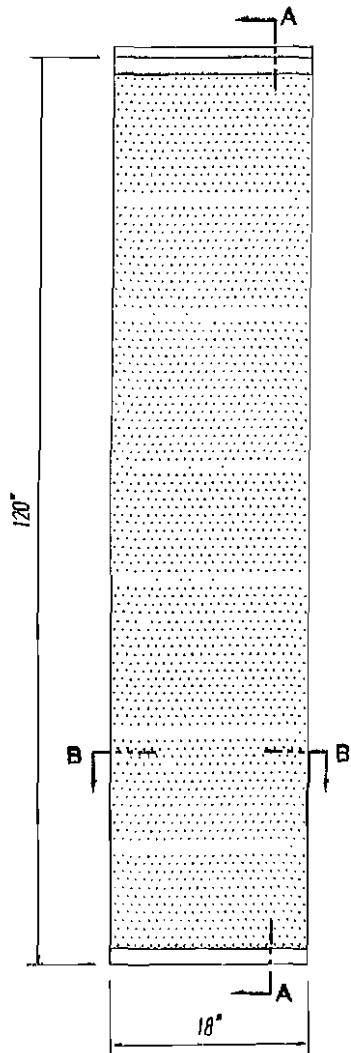
4" thick QuietPerf Panels:

NB-IV

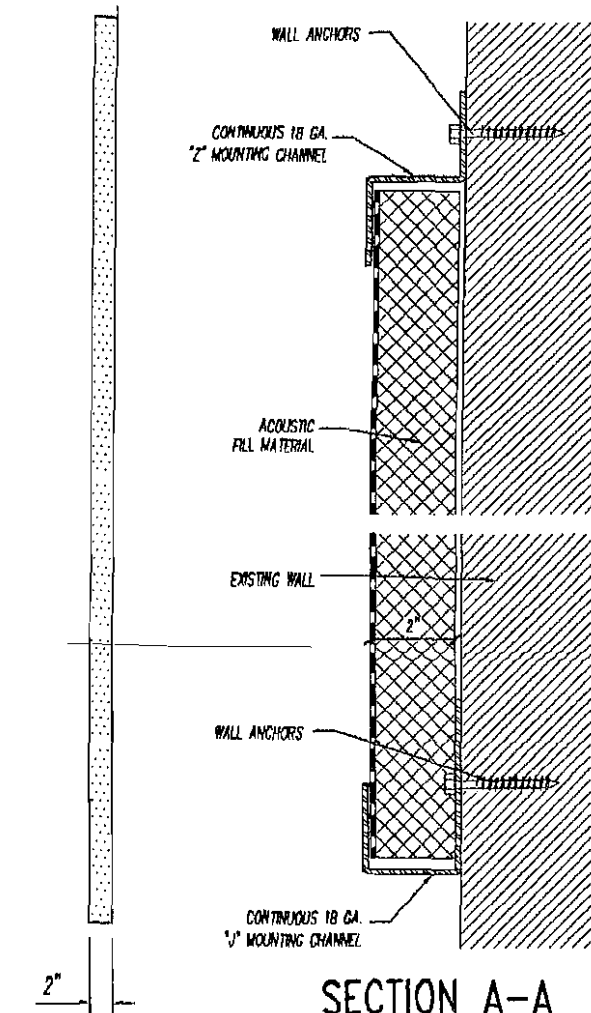
This panel is 4" thick x 14" wide x up to 144" long. The perforated pattern is 3/16" holes on 3/32" staggered centers. The panel is constructed of 22 gauge galvanized perforated steel (A-60 Galvanneal if finish painted, G-90 spangled galvanized steel if un-painted).

NB-IV-B

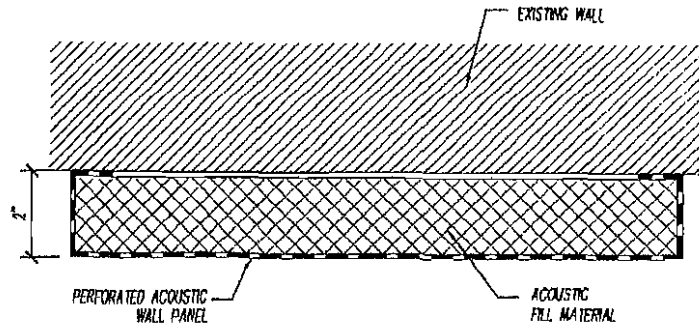
This panel is 4" thick x 14" wide x up to 144" long. The perforated pattern is 3/16" holes on 3/32" staggered centers. The acoustic fill is encapsulated in a minimum 2 mil thick poly bag and includes a plastic mesh spacer between the perforated face and the bagged fill. The panel is constructed of 22 gauge galvanized perforated steel (A-60 Galvanneal if finish painted, G-90 spangled galvanized steel if un-painted).



FRONT VIEW



SECTION A-A



SECTION B-B

GENERAL NOTES:

- 1.) ABSORPTION PANELS ARE FORMED FROM 22 GA. PERFORATED STEEL WITH $\frac{3}{16}$ " HOLES ON $\frac{3}{8}$ " STAGGERED CENTERS. PANELS HAVE G-90 SPANGLED GALVANIZED COATING IF SUPPLIED UNPAINTED. PANELS THAT ARE SUPPLIED WITH FINISH PAINT ARE FORMED FROM A-60 GLAVANNEALED STEEL.
- 2.) PANEL FILL: IS NON-COMBUSTIBLE, SOUND ABSORBING FIBERGLASS.
- 3.) FINISH: PANELS ARE AVAILABLE WITH A TOIC POLYESTER POWDER COATING OR UNFINISHED G-90 SPANGLED GALVANIZED COATING. STD. PAINT COLOR IS RAL-9003 (STD. WHITE). ADDITIONAL COLORS ARE AVIALABLE AND CAN BE SELECTED BY ARCHITECT/CUSTOMER FROM STANDARD COLOR CHART SUPPLIED BY NOISE BARRIERS, LLC. COLOR TO BE: _____
- 4.) PANELS ARE SUPPLIED WITH CONTINUOUS 18 GA. TOP 'Z'-CHANNEL AND BOTTOM 'J'-CHANNEL FOR MOUNTING PANELS TO EXISTING WALL/CEILING. ANCHORING HARDWARE VARIES BASED ON EXISTING WALL CONSTRUCTION.

SOUND ABSORPTION COEFFICIENTS

OCTAVE BAND CENTER FREQUENCIES (Hz)	125	250	500	1K	2K	4K	NRC
NB-II (W/O FILL PROTECTION)	0.26	0.53	1.00	1.03	0.97	1.02	0.90

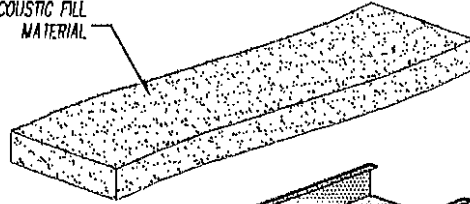
*All testing conducted by Riverbank Acoustical Laboratories. Sound Absorption Coefficients by the Reverberation Room Method ASTM C-423-02.

REVISIONS	DESCRIPTION	DATE	BY	DESCRIPTION

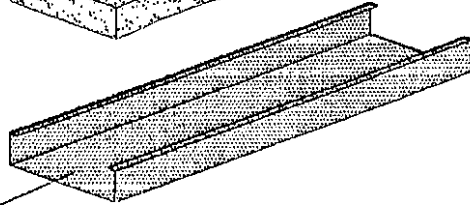
DESCRIPTION		QUIETPERF NB-II ABSORPTION PANELS	
CUSTOMER			
DRAWN BY	SCALE	DRAWING NO.	
		NB-II-1	
DATE	SHEET		

 **Noise Barriers, LLC**
 1207 Remington Rd., Suite E
 Schaumburg, IL 60173
 Phone: (847) 843-0500
 Fax: (847) 843-0501
www.noisebarriers.com

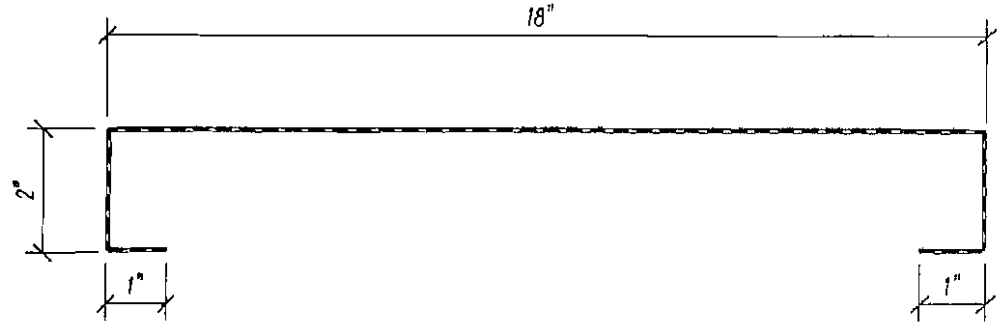
ACOUSTIC FILL MATERIAL



22 GA. PERF. PANEL



EXPLODED NB-II PANEL



TYPICAL PANEL PROFILE

SIZE: 2" THICK x 18" WIDE x _____" LONG

MAT'L: 22 GA. PERFORATED STEEL SHEET
 W/HOLE PATTERN: 3/32" DIA. HOLES
 ON 3/16" STAGGERED CENTERS

- G90 SPANGLED GALVANIZED
- A-60 GALVANNEALED/PAINTE GRIP

FINISH: UNFINISHED POWDER COATED,
 COLOR: _____

PANEL FILL PROTECTION: NONE
 BLACK POLY BAG
 MESH SPACER

QUANTITY: _____

PANEL No.	QTY.	LENGTH

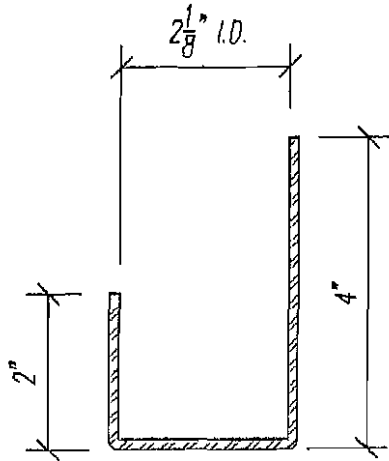
REVISIONS	DESCRIPTION	DATE	BY	DESCRIPTION

QUIETPERF NB-II ABSORPTION PANELS		
PROJECT		
DRAWN BY	SCALE	DRAWING NO.
DATE	SHEET	NB-II-2

Noise Barriers, LLC

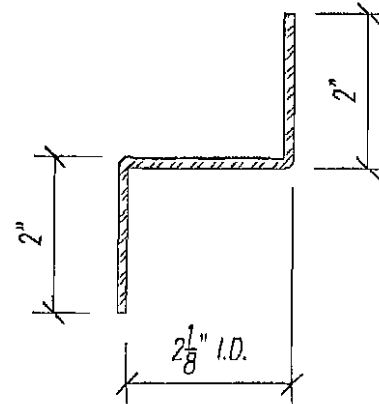
1207 Remington Rd., Suite E
 Schaumburg, IL 60173
 Phone: (847) 843-0500
 Fax: (847) 843-0501

www.noisebarriers.com



18 GA. BOT. 'J' CHANNEL

QTY. () @ 120" LONG



18 GA. TOP 'Z' CHANNEL

QTY. () @ 120" LONG


SIZE: SEE PROFILE x 120" LONG

MAT'L: G-90 GALVANIZED A-60 GALVANNEAL

FINISH: UNFINISHED POWDER COATED,
COLOR: _____

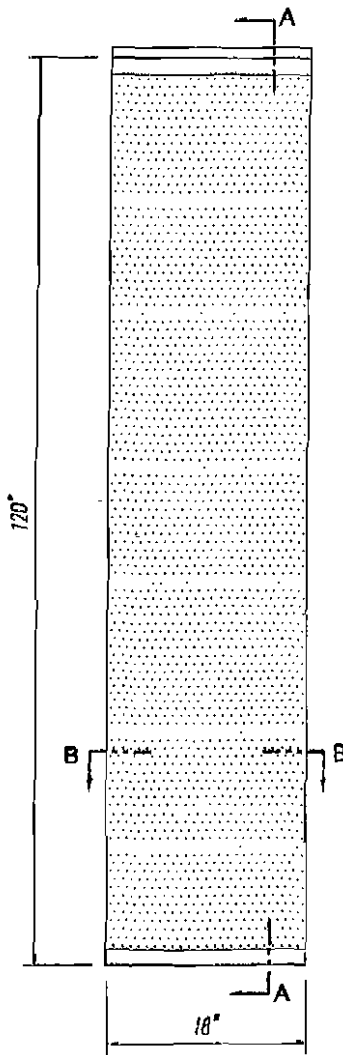
QUANTITY: _____

REVISIONS	DESCRIPTION	DATE	BY	DESCRIPTION	SCALE	DRAWING NO.
				NB-II TOP & BOT. MOUNTING CHANNELS		
				PROJECT		
				DRAWN BY		
				DATE		
					SHEET	NB-II-3

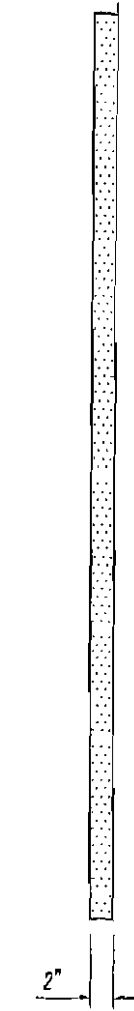


Noise Barriers, LLC
1207 Remington Rd., Suite E
Schaumburg, IL 60173
Phone: (847) 843-0500
Fax: (847) 843-0501

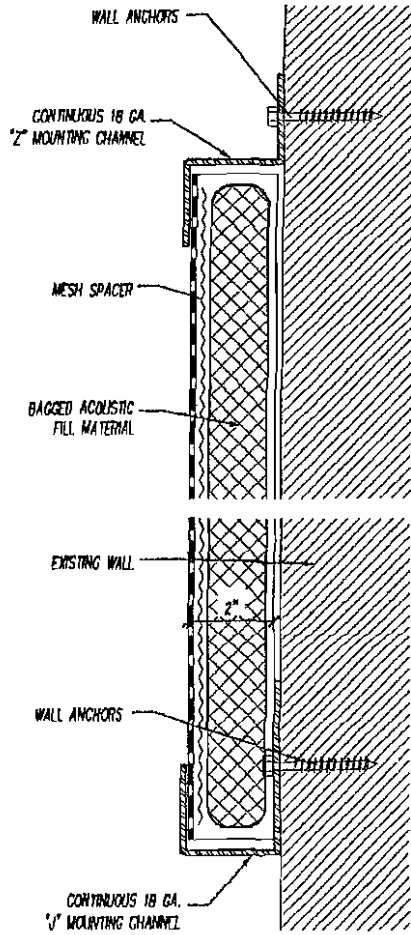
www.noisebarriers.com



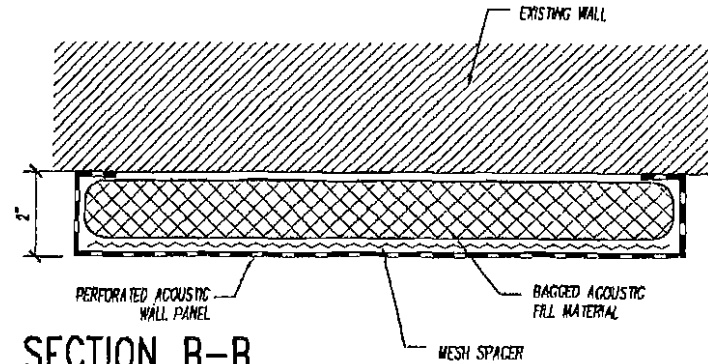
FRONT VIEW



RIGHT SIDE VIEW



SECTION A-A



SECTION B-B

GENERAL NOTES:

- 1.) ABSORPTION PANELS ARE FORMED FROM 22 GA. PERFORATED STEEL WITH $\frac{3}{32}$ " HOLES ON $\frac{3}{16}$ " STAGGERED CENTERS. PANELS HAVE G-90 SPANGLED GALVANIZED COATING IF SUPPLIED UNPAINTED. PANELS THAT ARE SUPPLIED WITH FINISH PAINT ARE FORMED FROM A-60 OLIVARNEALED STEEL.
- 2.) PANEL FILL IS NON-COMBUSTIBLE, SOUND ADSORBING FIBERGLASS. ACOUSTIC FILL IS PROTECTED WITH A 2 MIL POLY BAG AND PLASTIC MESH SPACER.
- 3.) FINISH: PANELS ARE AVAILABLE WITH A TGIC POLYESTER POWDER COATING OR UNFINISHED G-90 SPANGLED GALVANIZED COATING. STD. PAINT COLOR IS RAL-9003 (STD. WHITE). ADDITIONAL COLORS ARE AVAILABLE AND CAN BE SELECTED BY ARCHITECT/CUSTOMER FROM STANDARD COLOR CHART SUPPLIED BY NOISE BARRIERS, LLC. COLOR TO BE: _____
- 4.) PANELS ARE SUPPLIED WITH CONTINUOUS 18 GA. TOP '2'-CHANNEL AND BOTTOM '1'-CHANNEL FOR MOUNTING PANELS TO EXISTING WALL/CEILING. ANCHORING HARDWARE VARIES BASED ON EXISTING WALL CONSTRUCTION.

SOUND ABSORPTION COEFFICIENTS

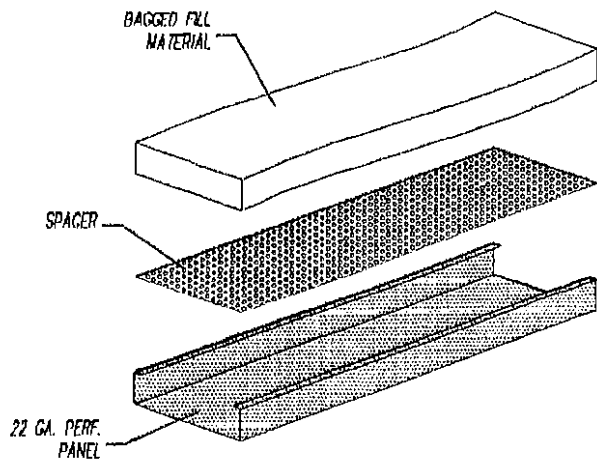
OCTAVE BAND CENTER FREQUENCIES (Hz)	125	250	500	1K	2K	4K	NRC
NB-II-B (W/ FILL PROTECTION & SPACER)	0.35	0.63	1.08	1.12	0.94	0.77	0.95

*All testing conducted by Riverbank Acoustical Laboratories. Sound Absorption Coefficients by the Reverberation Room Method ASTM C-425-02.

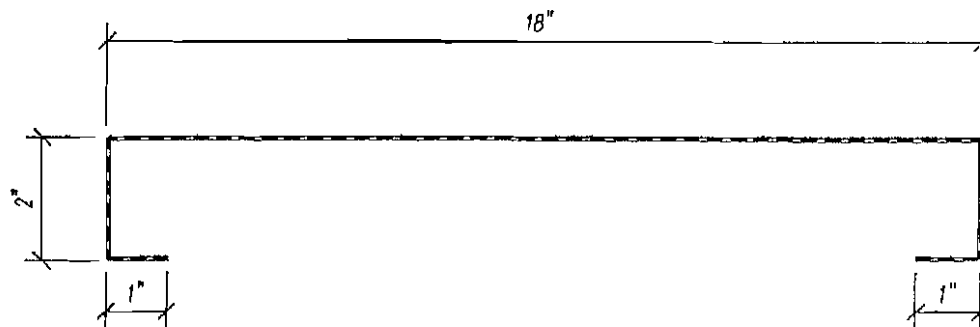
REVISIONS	DESCRIPTION	DATE	BY	DESCRIPTION

DESCRIPTION		QUIETPERF NB-II-B ABSORPTION PANELS	
CUSTOMER			
DRAWN BY	SCALE	DRAWING NO.	
		NB-II-B-1	
DATE	SHEET		

Noise Barriers, LLC
 1207 Remington Rd., Suite E
 Schaumburg, IL 60173
 Phone: (847) 843-0500
 Fax: (847) 843-0501
www.noisebarriers.com



EXPLODED NB-II-B PANEL



TYPICAL PANEL PROFILE

SIZE: 2" THICK x 18" WIDE x _____" LONG

MAT'L: 22 GA. PERFORATED STEEL SHEET

W/HOLE PATTERN: 3/32" DIA. HOLES
ON 3/16" STAGGERED CENTERS

G90 SPANGLED GALVANIZED

A-60 GALVANNEALED/PAINTRIP

FINISH: UNFINISHED

POWDER COATED,

COLOR: _____

PANEL FILL PROTECTION:

NONE

BLACK POLY BAG

MESH SPACER

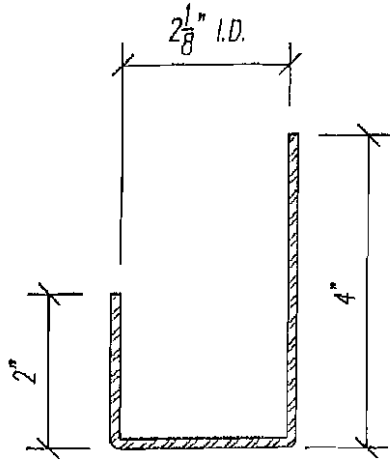
QUANTITY: _____

PANEL No.	QTY.	LENGTH

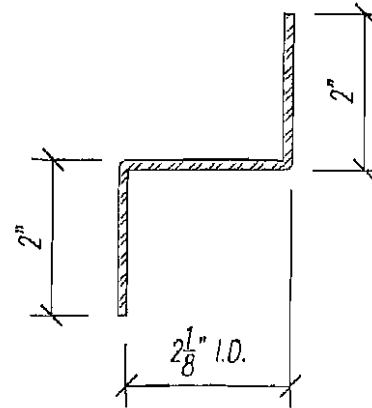
REVISIONS	DESCRIPTION	DATE	BY

DESCRIPTION			QUIETPERF NB-II-B ABSORPTION PANELS
PROJECT			
DRAWN BY	SCALE	DRAWING NO.	
		NB-II-B-2	
DATE	SHEET		

Noise Barriers, LLC
 1207 Remington Rd., Suite E
 Schaumburg, IL 60173
 Phone: (847) 843-0500
 Fax: (847) 843-0501
www.noisebarriers.com



18 GA. BOT. 'J' CHANNEL
 QTY. () @ 120" LONG



18 GA. TOP 'Z' CHANNEL
 QTY. () @ 120" LONG


SIZE: SEE PROFILE x 120" LONG

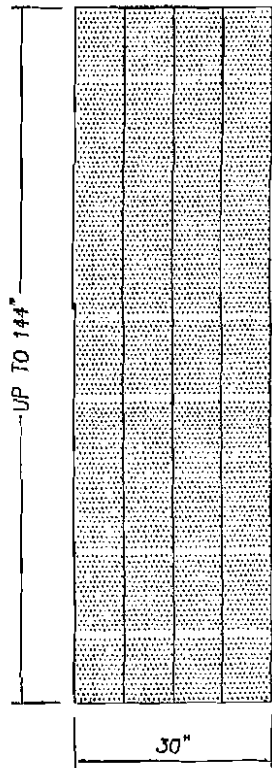
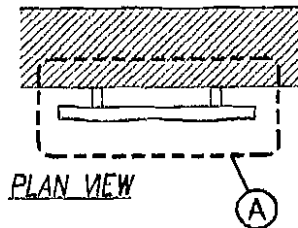
MAT'L: G-90 GALVANIZED A-60 GALVANNEAL

FINISH: UNFINISHED POWDER COATED,
 COLOR: _____

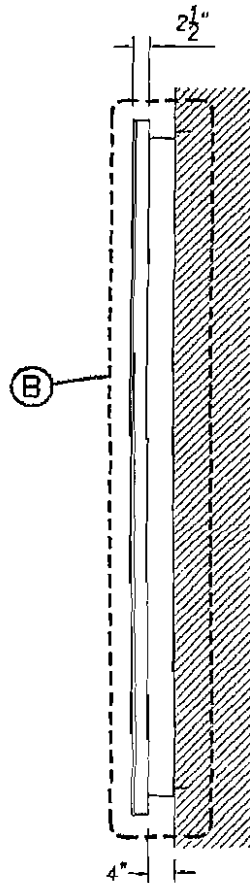
QUANTITY: _____

REVISIONS	DESCRIPTION	DATE	BY	DESCRIPTION
				PROJECT
				DRAWN BY
				SCALE
				DRAWING NO.
				NB-II-B-3
				DATE
				SHEET

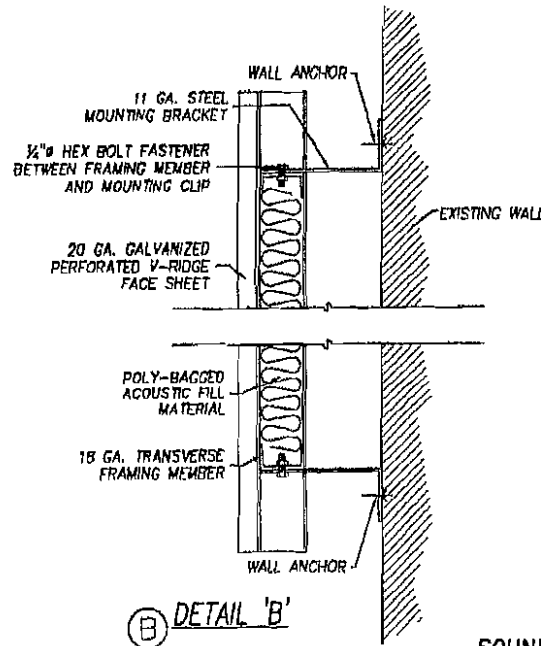
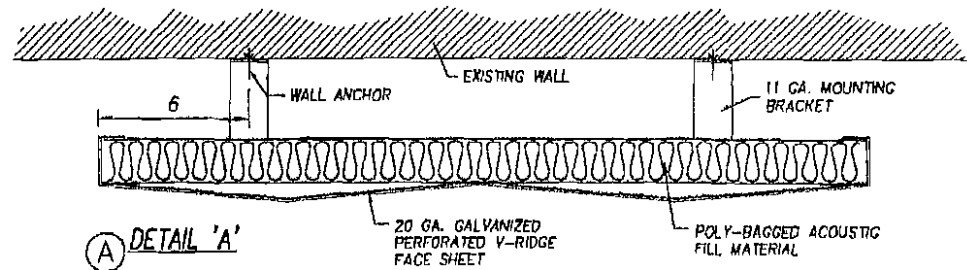

Noise Barriers, LLC
 1207 Remington Rd., Suite E
 Schaumburg, IL 60173
 Phone: (847) 843-0500
 Fax: (847) 843-0501
www.noisebarriers.com



FRONT VIEW



RIGHT SIDE VIEW



GENERAL NOTES:

- 1.) THE PERFORATED FACE OF THE PANEL IS MADE OF 22 GA. GALVANNEALED PERFORATED STEEL WITH 3/32" HOLES ON 1/8" STAGGERED CENTERS
- 2.) THE MOUNTING CLIPS ARE 11 GA. GALVANNEALED STEEL WITH PRE-DRILLED HOLES FOR EASY MOUNTING AND ARE DESIGNED TO SPACE THE PANELS 4" OFF THE FACE OF THE FINISHED WALL SURFACE
- 3.) PANEL FRAMING MEMBER IS ROLL FORMED 18 GA. GALVANNEALED STEEL CHANNEL
- 4.) ABSORPTIVE MATERIAL IS POLY-BAGGED FIBERGLASS ACOUSTIC FILL
- 5.) ENTIRE PANEL AND MOUNTING CLIPS ARE POWDER FINISHED IN CUSTOM COLOR SELECTED BY CUSTOMER
- 6.) WALL ANCHORS/MOUNTING FASTENERS ARE DETERMINED BY THE EXISTING WALL CONSTRUCTION

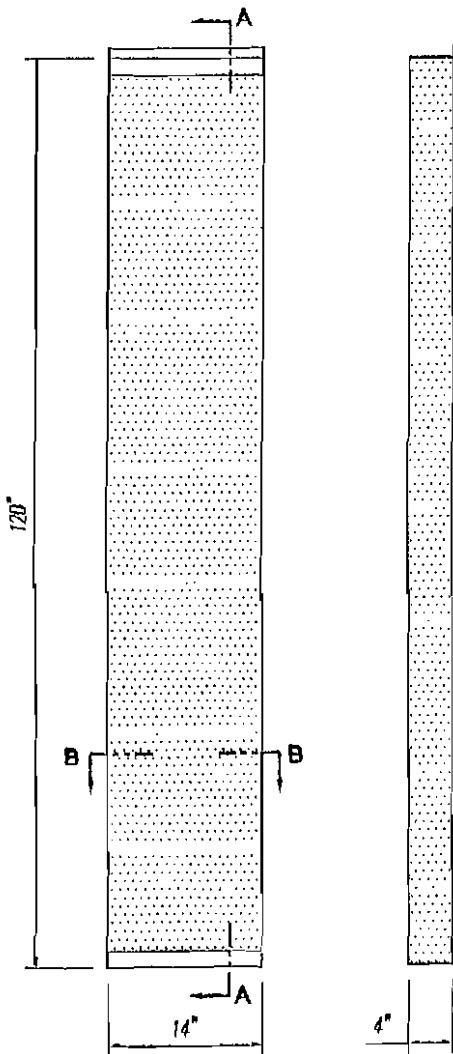
SOUND ABSORPTION COEFFICIENTS

OCTAVE BAND CENTER FREQUENCIES (Hz)	125	250	500	1K	2K	4K	NRC
*V" RIDGE ABSORPTION PANELS	0.46	0.86	1.36	1.20	1.03	0.03	1.10

*All testing conducted by Riverbank Acoustical Laboratories. Sound Absorption Coefficients by the Reverberation Room Method ASTM C-423-02/NVLA08/PO3

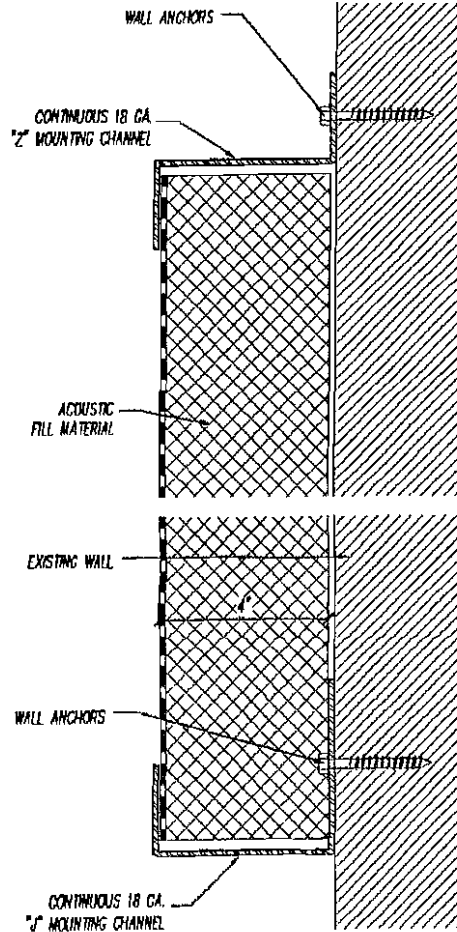
REVISIONS	DESCRIPTION	DATE	BY	DESCRIPTION	"V" RIDGE ABSORPTION PANEL	
		CUSTOMER			DRAWN BY	SCALE
				DATE	SHEET	NB-11-V

Noise Barriers, LLC
 1207 Remington Rd., Suite E
 Schaumburg, IL 60173
 Phone: (847) 843-0500
 Fax: (847) 843-0501
www.noisebarriers.com

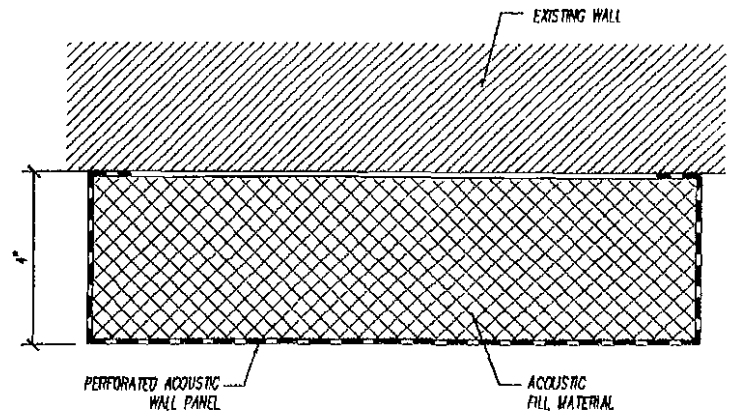


FRONT VIEW

RIGHT SIDE VIEW



SECTION A-A



SECTION B-B

GENERAL NOTES:

- 1.) ABSORPTION PANELS ARE FORMED FROM 22 GA. PERFORATED STEEL WITH $\frac{3}{16}$ " HOLES ON $\frac{3}{8}$ " STAGGERED CENTERS. PANELS HAVE G-90 SPANGLED GALVANIZED COATING IF SUPPLIED UNPAINTED. PANELS THAT ARE SUPPLIED WITH FINISH PAINT ARE FORMED FROM A-60 GLAVANNEALED STEEL.
- 2.) PANEL FILL: IS NON-COMBUSTIBLE, SOUND ABSORBING FIBERGLASS.
- 3.) FINISH: PANELS ARE AVAILABLE WITH A TGIC POLYESTER POWDER COATING OR UNFINISHED G-90 SPANGLED GALVANIZED COATING. STD. PAINT COLOR IS RAL-9003 (STD. WHITE). ADDITIONAL COLORS ARE AVAILABLE AND CAN BE SELECTED BY ARCHITECT/CUSTOMER FROM STANDARD COLOR CHART SUPPLIED BY NOISE BARRIERS, LLC. COLOR TO BE: _____
- 4.) PANELS ARE SUPPLIED WITH CONTINUOUS 18 GA. TOP 'Z'-CHANNEL AND BOTTOM 'J'-CHANNEL FOR MOUNTING PANELS TO EXISTING WALL/CEILING. ANCHORING HARDWARE VARIES BASED ON EXISTING WALL CONSTRUCTION.

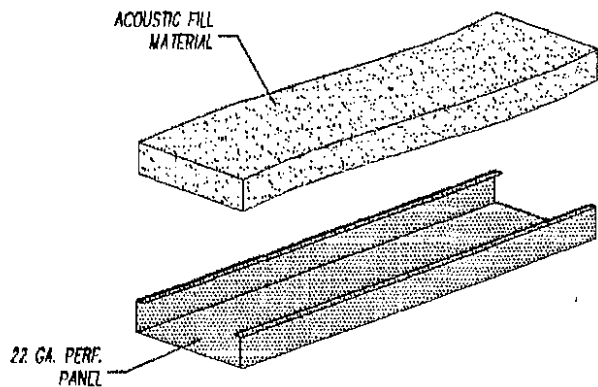
SOUND ABSORPTION COEFFICIENTS

OCTAVE BAND CENTER FREQUENCIES (Hz)	125	250	500	1K	2K	4K	NRC
NB-IV (W/O FILL PROTECTION)	0.70	1.08	1.15	1.05	1.05	1.01	1.10

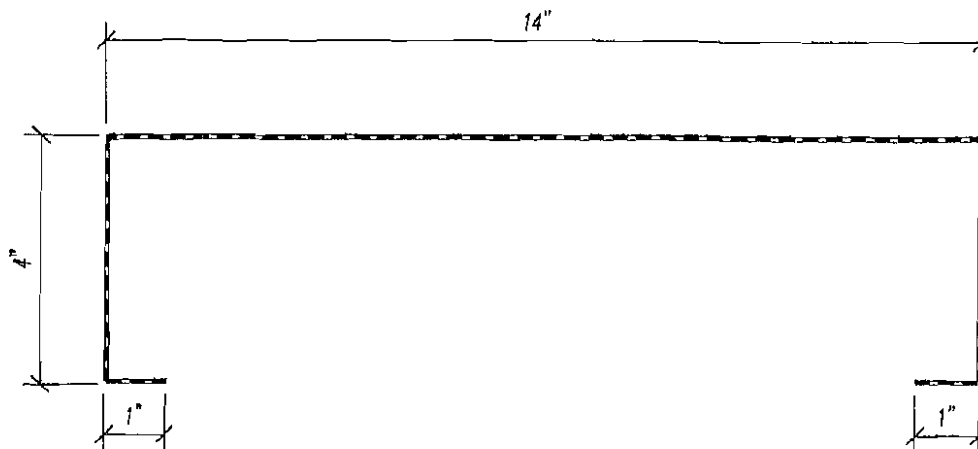
*All testing conducted by Riverbank Acoustical Laboratories. Sound Absorption Coefficients by the Reverberation Room Method ASTM C-423-02.

REVISION	DESCRIPTION	DATE	BY	DESCRIPTION
	QUIETPERF NB-IV ABSORPTION PANELS			
	CUSTOMER			
	DRAWN BY		SCALE	DRAWING NO.
	DATE		SHEET	NB-IV-1

Noise Barriers, LLC
 1207 Remington Rd., Suite E
 Schaumburg, IL 60173
 Phone: (847) 843-0500
 Fax: (847) 843-0501
www.noisebarriers.com



EXPLODED NB-IV PANEL



TYPICAL PANEL PROFILE

SIZE: 4" THICK x 14" WIDE x _____" LONG

MAT'L: 22 GA. PERFORATED STEEL SHEET
 W/HOLE PATTERN: 3/32" DIA. HOLES
 ON 3/16" STAGGERED CENTERS

- G90 SPANGLED GALVANIZED
- A-60 GALVANNEALED/PAINIT GRIP

FINISH: UNFINISHED POWDER COATED,
 COLOR: _____

PANEL FILL PROTECTION: NONE
 BLACK POLY BAG
 MESH SPACER

QUANTITY: _____

PANEL No.	QTY.	LENGTH

REVISIONS	DESCRIPTION	DATE	BY	DESCRIPTION	QUETPERF NB-IV ABSORPTION PANELS
				PROJECT	
				DRAWN BY	SCALE
				DATE	SHEET

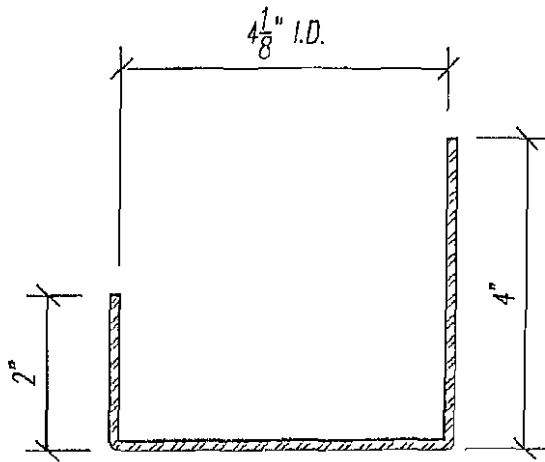


Noise Barriers, LLC

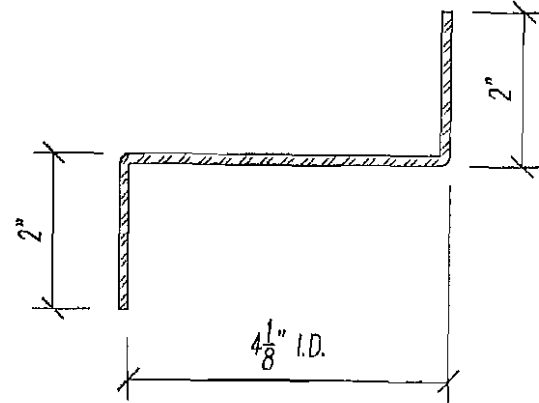
1207 Remington Rd., Suite E
 Schaumburg, IL 60173
 Phone: (847) 843-0500
 Fax: (847) 843-0501

www.noisebarriers.com

DRAWING NO.
NB-IV-2



18 GA. BOT. 'J' CHANNEL
 QTY. () @ 120" LONG



18 GA. TOP 'Z' CHANNEL
 QTY. () @ 120" LONG

SIZE: SEE PROFILE x 120" LONG

MAT'L: G-90 GALVANIZED A-60 GALVANNEAL

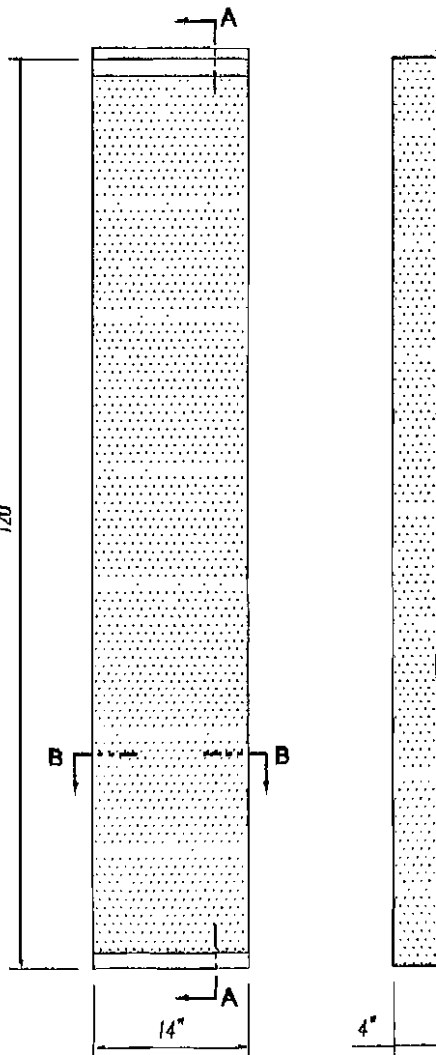
FINISH: UNFINISHED POWDER COATED,
 COLOR: _____

QUANTITY: _____

REVISIONS	DESCRIPTION	DATE	BY	DESCRIPTION
				PROJECT
				DRAWN BY
				SCALE
				DRAWING NO.
				NB-IV-3
				DATE
				SHEET

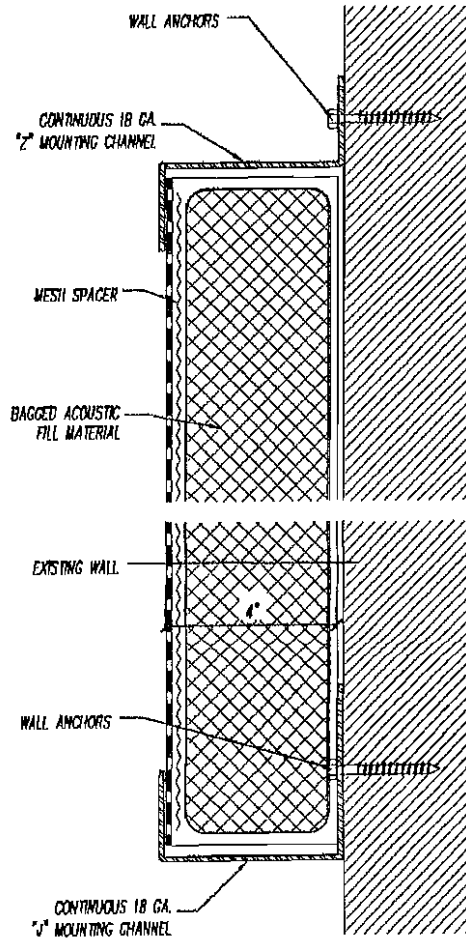
 **Noise Barriers, LLC**
 1207 Remington Rd., Suite E
 Schaumburg, IL 60173
 Phone: (847) 843-0500
 Fax: (847) 843-0501
www.noisebarriers.com

120"

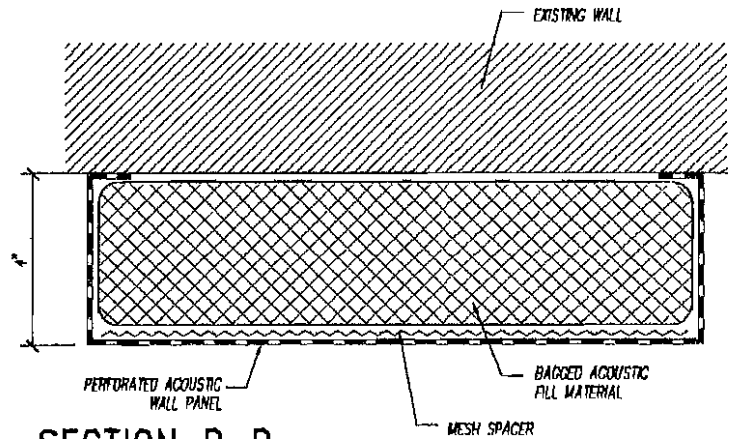


FRONT VIEW

RIGHT SIDE VIEW



SECTION A-A



SECTION B-B

GENERAL NOTES:

- 1.) ABSORPTION PANELS ARE FORMED FROM 22 GA. PERFORATED STEEL WITH $\frac{3}{16}$ " HOLES ON $\frac{1}{4}$ " STAGGERED CENTERS. PANELS HAVE G-90 SPANGLED GALVANIZED COATING IF SUPPLIED UNPAINTED. PANELS THAT ARE SUPPLIED WITH FINISH PAINT ARE FORMED FROM A-60 OLIVANNEALED STEEL.
- 2.) PANEL FILL: IS NON-COMBUSTIBLE, SOUND ABSORBING FIBERGLASS. ACOUSTIC FILL IS PROTECTED WITH A 2 MIL POLY BAG AND PLASTIC MESH SPACER.
- 3.) FINISH: PANELS ARE AVAILABLE WITH A TGIC POLYESTER POWDER COATING OR UNFINISHED G-90 SPANGLED GALVANIZED COATING. STD. PAINT COLOR IS RAL-9003 (STD. WHITE). ADDITIONAL COLORS ARE AVIALABLE AND CAN BE SELECTED BY ARCHITECT/CUSTOMER FROM STANDARD COLOR CHART SUPPLIED BY NOISE BARRIERS, LLC. COLOR TO BE: _____
- 4.) PANELS ARE SUPPLIED WITH CONTINUOUS 18 GA. TOP 2"-CHANNEL AND BOTTOM 1"-CHANNEL FOR MOUNTING PANELS TO EXISTING WALL/CEILING. ANCHORING HARDWARE VARIES BASED ON EXISTING WALL CONSTRUCTION.

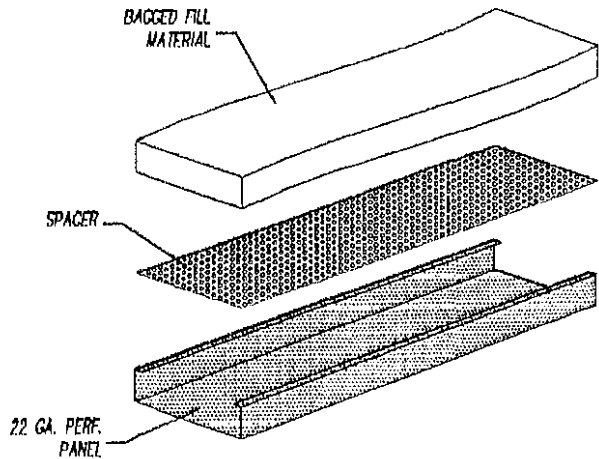
SOUND ABSORPTION COEFFICIENTS

OCTAVE BAND CENTER FREQUENCIES (Hz)	125	250	500	1K	2K	4K	NRC
NB-IV-B (W/ FILL PROTECTION & SPACER)	0.78	1.10	1.19	1.04	1.02	0.81	1.10

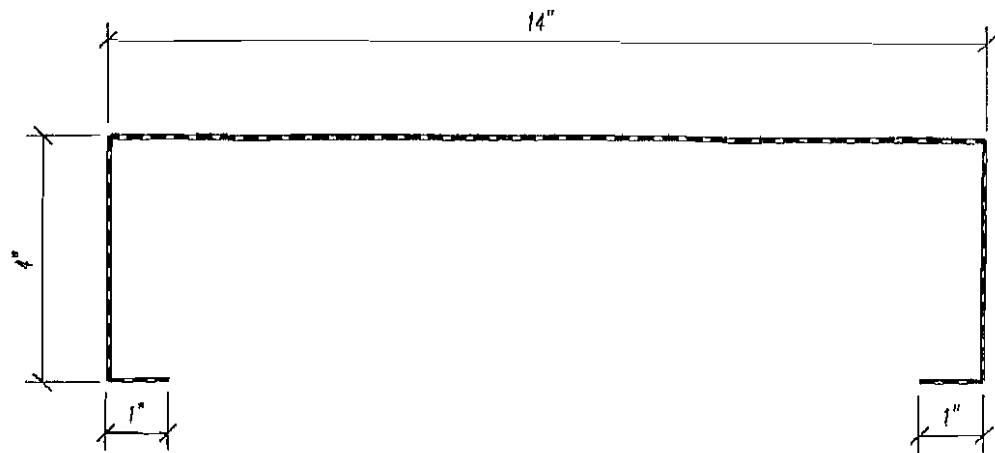
*All testing conducted by Riverbank Acoustical Laboratories. Sound Absorption Coefficients by the Reverberation Room Method ASTM C-423-02.

REVISIONS	DESCRIPTION	DATE	BY	DESCRIPTION
				QUIETPERF NB-IV-B ABSORPTION PANELS
				CUSTOMER
				DRAWN BY
				SCALE
				DRAWING NO.
				DATE
				SHEET
				NB-IV-B-1

Noise Barriers, LLC
 1207 Remington Rd., Suite E
 Schaumburg, IL 60173
 Phone: (847) 843-0500
 Fax: (847) 843-0501
www.noisebarriers.com



EXPLODED NB-IV-B PANEL



TYPICAL PANEL PROFILE

SIZE: 4" THICK x 14" WIDE x _____" LONG

MAT'L: 22 GA. PERFORATED STEEL SHEET
 W/HOLE PATTERN: 3/32" DIA. HOLES
 ON 3/16" STAGGERED CENTERS
 G90 SPANGLER GALVANIZED
 A-60 GALVANNEALED/PAINTE GRIP

FINISH: UNFINISHED POWDER COATED,
 COLOR: _____

PANEL FILL PROTECTION: NONE
 BLACK POLY BAG
 MESH SPACER

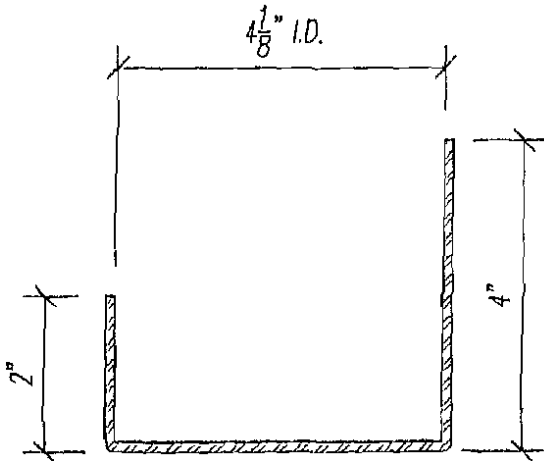
QUANTITY: _____

PANEL No.	QTY.	LENGTH

REVISIONS	DESCRIPTION	DATE	BY	DESCRIPTION

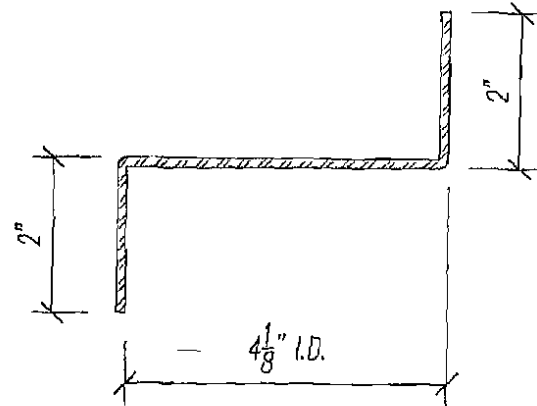
DESCRIPTION			QUIETPERF NB-IV-B ABSORPTION PANELS
PROJECT			
DRAWN BY	SCALE	DRAWING NO.	
		NB-IV-B-2	
DATE	SHEET		

Noise Barriers, LLC
 1207 Remington Rd., Suite E
 Schaumburg, IL 60173
 Phone: (847) 843-0500
 Fax: (847) 843-0501
www.noisebarriers.com



18 GA. BOT. 'J' CHANNEL

QTY. () @ 120" LONG



18 GA. TOP 'Z' CHANNEL

QTY. () @ 120" LONG


SIZE: SEE PROFILE x 120" LONG

MAT'L: G-90 GALVANIZED A-60 GALVANNEAL

FINISH: UNFINISHED POWDER COATED,
COLOR: _____

QUANTITY: _____

REVISIONS	DESCRIPTION	DATE	BY	DESCRIPTION	NB-IV-B TOP & BOT. MOUNTING CHANNELS	
					PROJECT	
				DRAWN BY	SCALE	DRAWING NO.
				DATE	SHEET	NB-IV-B-3



Noise Barriers, LLC
1207 Remington Rd., Suite E
Schaumburg, IL 60173
Phone: (847) 843-0500
Fax: (847) 843-0501

www.noisebarriers.com