

CONSTRUCTION/ASSEMBLY NOTES:

- PANEL SURFACES:** SOLID FACE IS 16 GA. COLD ROLLED STEEL WITH A-60 GALVANNEAL COATING. PERFORATED FACE IS 22 GA. WITH $\frac{3}{32}$ " HOLES ON $\frac{3}{8}$ " STAGGERED CENTERS.
- PANEL FILL:** NON-COMBUSTIBLE, SOUND ABSORBING FIBERGLASS
- FINISH:** STD. FINISH IS "PAINT READY" GALVANNEAL THERMOSETTING TGIC POLYESTER POWDER COATING IS AVAILABLE. COLOR TO BE SELECTED BY ARCHITECT/CUSTOMER FROM STANDARD COLOR CHART SUPPLIED BY NOISE BARRIERS, LLC. COLOR TO BE: _____
- PANELS ARE INSTALLED VERTICALLY AND SUPPORTED BY THE CONTINUOUS STRUCT. STEEL BOTTOM ANGLE AND ANCHORED WITH SELF-TAPPING SCREWS TO CONTINUOUS STRUCT. STEEL TOP ANGLE.

BARRIER PANEL ACOUSTIC PERFORMANCE

SOUND TRANSMISSION LOSS, dB

OCTAVE BAND CENTER FREQUENCIES (Hz)	125	250	500	1K	2K	4K	STC
QUIETLINE H/P-42 V-STACK PANEL	23	31	40	49	56	62	42

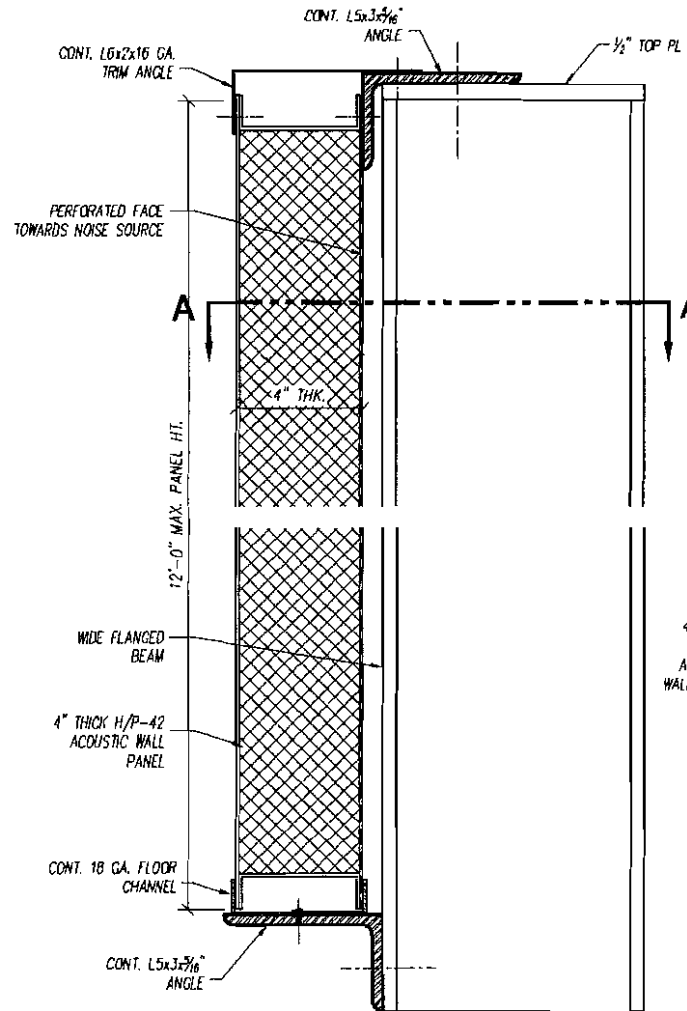
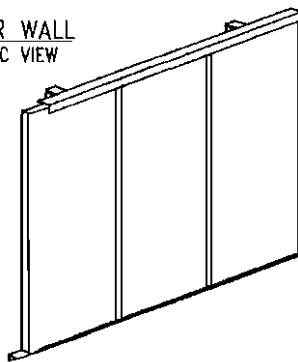
*All data in accordance with ASTM E90-99 and E413-87

SOUND ABSORPTION COEFFICIENTS

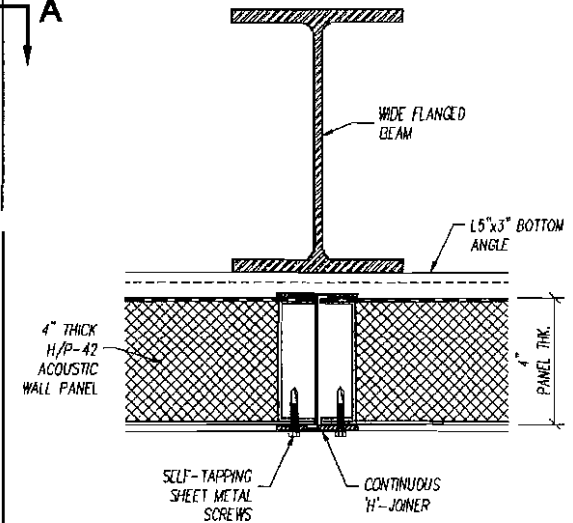
OCTAVE BAND CENTER FREQUENCIES (Hz)	125	250	500	1K	2K	4K	NRC
QUIETLINE H/P-42 V-STACK PANEL	0.68	1.06	1.12	1.08	1.03	0.98	0.95 (1.05)

*All data in accordance with ASTM C423-90a and E795-00

BARRIER WALL
ISOMETRIC VIEW



WALL SECTION DETAIL



SECTION A-A

REVISIONS	DESCRIPTION	DATE	BY	DESCRIPTION

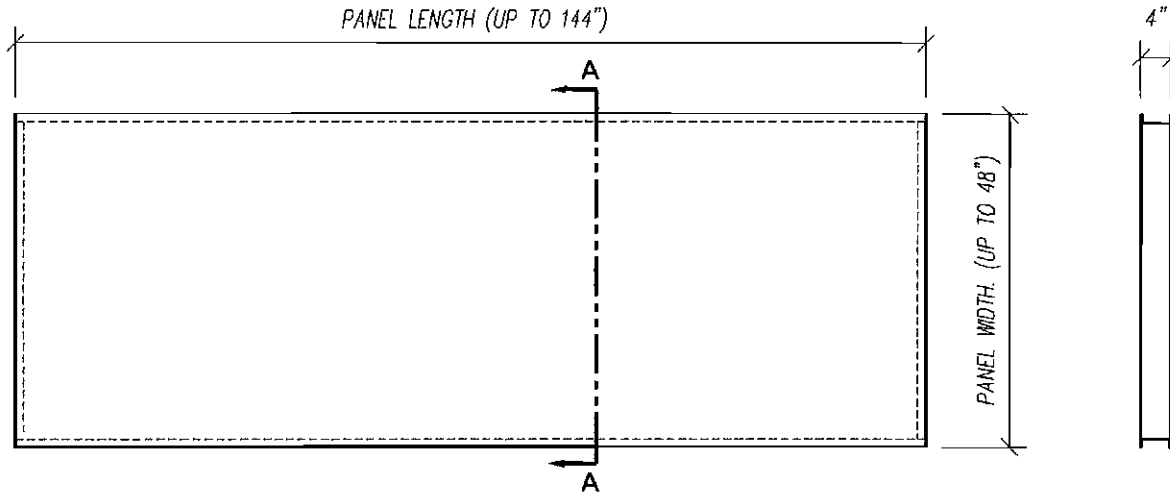
DESCRIPTION		QUIETLINE H/P-42 BARRIER PANEL	
PROJECT			
DRAWN BY	SCALE	DRAWING NO.	
		H/P-42-1	
DATE	SHEET		



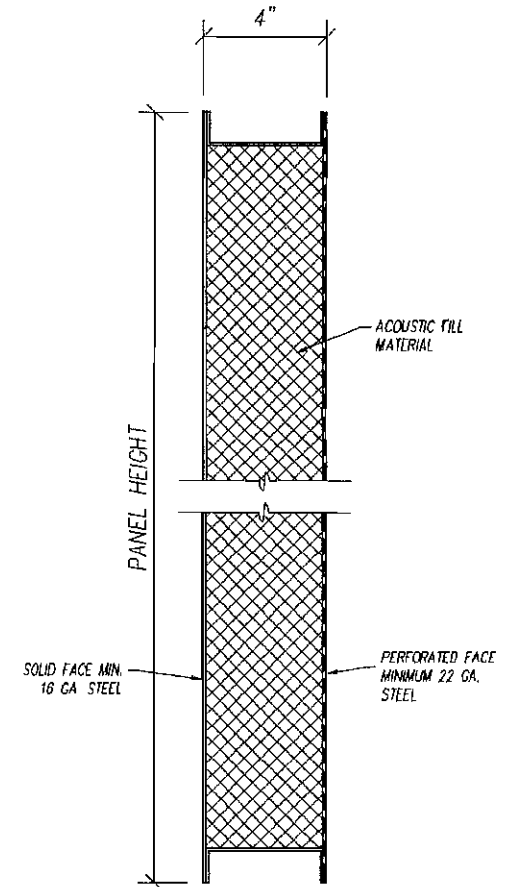
Noise Barriers, LLC

1207 Remington Rd., Suite E
Schaumburg, IL 60173
Phone: (847) 843-0500
Fax: (847) 843-0501

www.noisebarriers.com



H/P-42 ACOUSTIC BARRIER WALL PANEL
FRONT & SIDE ELEVATIONS



SECTION A-A

PANEL No.	QTY.	PANEL LENGTH	PANEL HEIGHT

'H/P-42' BARRIER PANEL

DESCRIPTION	DATE	BY	DESCRIPTION

QUIETLINE H/P-42 BARRIER PANEL

Noise Barriers, LLC
 1207 Remington Rd., Suite E
 Schaumburg, IL 60173
 Phone: (847) 843-0500
 Fax: (847) 843-0501
www.noisebarriers.com

PROJECT NO.
H/P-42-2

SCALE
 SHEET

REVISIONS